



EnHome Cabinetry Direct

KITCHEN • BATH • ORGANIZATION

ASSEMBLY INSTRUCTIONS

Kitchen Base Blind Corner Cabinets

(This assembly instruction sheet applies for all our Base Blind Corner Cabinets.)

❖ **General Instruction**

- Read the instruction carefully before starting the installation.
- Follow all generally accepted safety procedures during assembly.

❖ **Parts List:** The following items are included in the carton.

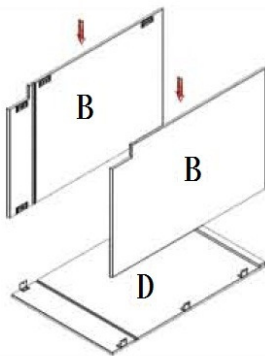
ITEM	DESCRIPTION	Qty.
A	Front Frame w/ Door	1
B	Side Panel (Right & Left)	2
C	Bottom Panel	1
D	Back Panel	1
E	Toe Kick	1
F	Shelf	1
G	Drawer Face	1 (BBC36L/BBC36R)
H	Drawer Box	1 (BBC36L/BBC36R)
I	Slider (pairs)	1 (BBC36L/BBC36R)

NOTE: **DRAWER BOX** for MM, AWK, AW and COG are in separate carton
DOOR & DRAWER FACE for BCF and BCR are in separate carton

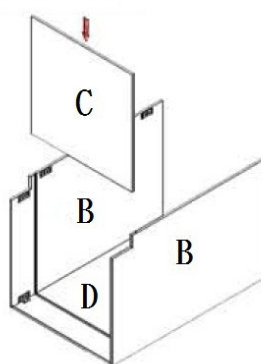
❖ **Instruction**

- **STEP 1:** Lay (D) flat, grooves facing upward. Insert (B) into metal clips of (D).
- **STEP 2:** Slide (C) into grooves of (B) and (D).
- **STEP 3:** Attach (A) onto (C) and ((B)). Attach (E) onto bottom front of (B) using the metal clips.
- **STEP 4:** Place and screw plastic holders into corners of (A), (B), (D).

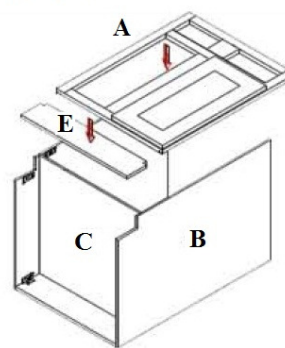
STEP 1



STEP 2



STEP 3



STEP 4



310 Steelcase Rd. E Markham L3R 1G2 • t. 905.771.3636

Email: emhome101@gmail.com • www.enhomecabinet.com

EnHome Cabinetry Direct

KITCHEN • BATH • ORGANIZATION

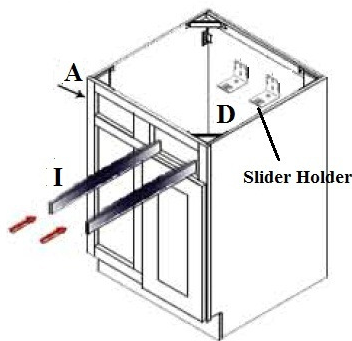
- **STEP 5:** Screw both near slider holders into the pre-drilled holes in (D) so that angle faces upward. Install (I) by sliding into slider holders and screwing into side of (A).
- **STEP 6:** Screw the drawer face (G) onto the drawer box (H) through the pre-drilled holes.

LD/BN/MC/BCR/BCF/BE Drawer needs to be assembled as follow:

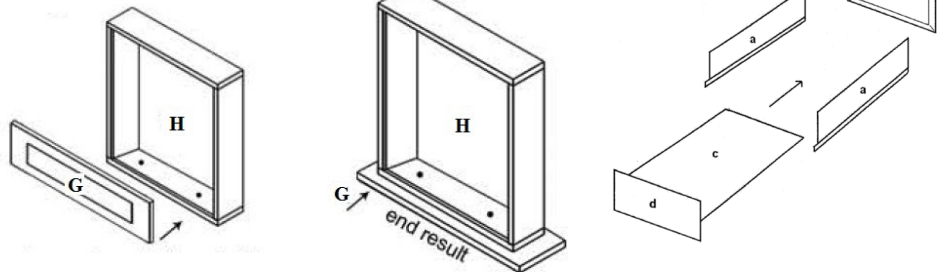
Put Side (b) into Drawer Front (a), align and confirm that all is flush. Then, insert the slid Drawer Bottom (c) into the grooves of the Drawer Sides (b) position Drawer Back (d) as shown below picture.

MM/AWK/AW/COG Drawer Box has been assembled

STEP 5

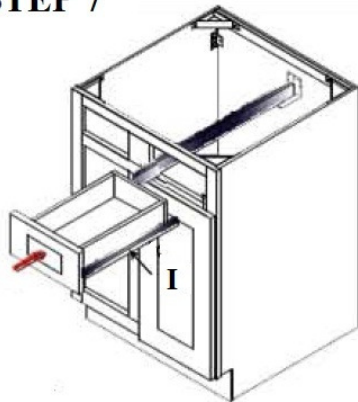


STEP 6



- **STEP 7:** Position drawer box over drawer slides (I).
BE Drawers: Slide drawer glides into clips so that click and attach.
INSTRUCTION of the FULL EXTENSION UNDERMOUNTSLIDER Installation for MM/AWK/AW/COG/BE: 3pg
- **STEP 8:** Insert shelf clips into the pre-drilled holes on (B). Slide shelf (F) making sure the front edge faces out.

STEP 7



STEP 8

